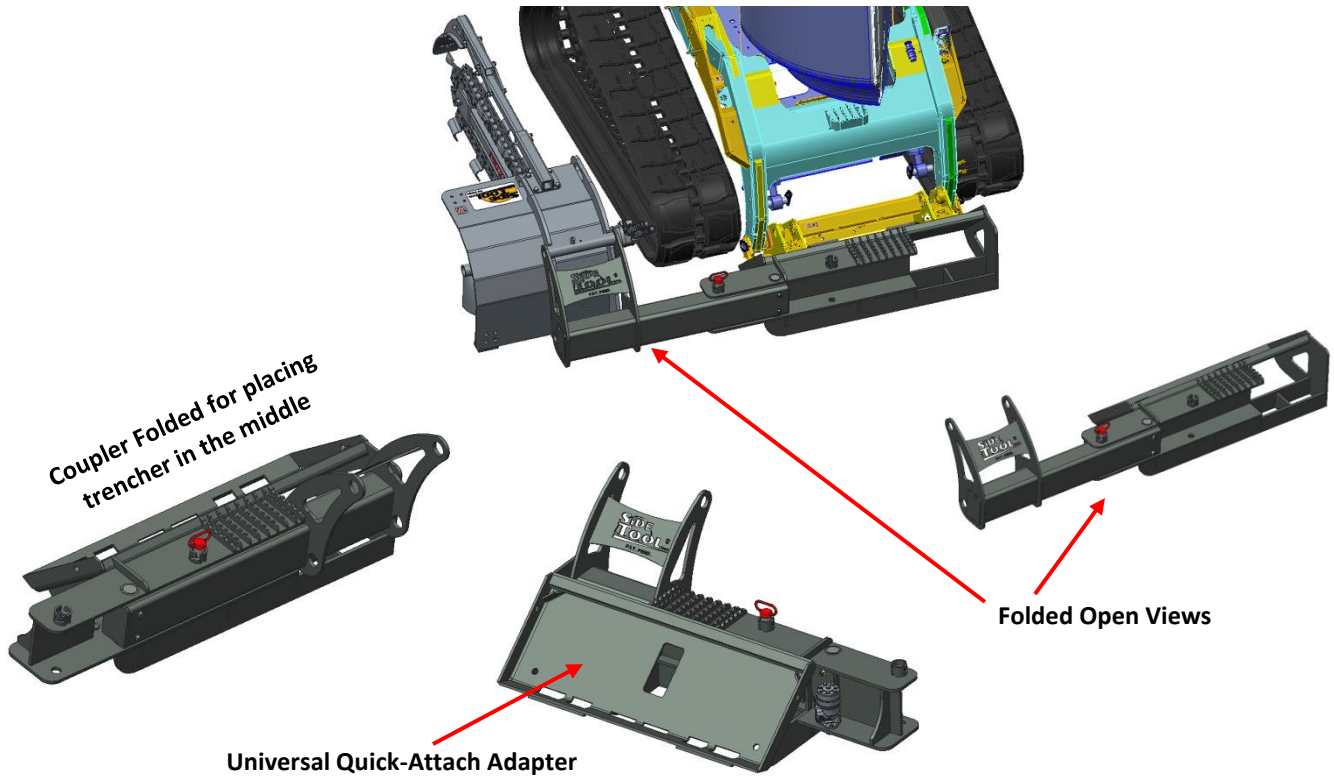


SideTool Skid Steer Pro I Couplers - #1 Solutions

SideTool Skid Steer Pro I-A Coupler *(patent pending)*

The SideTool Skid Steer Pro I Coupler enables any SideTool Trencher to be placed on all skid steer brands worldwide utilizing the coupler's quick attach plate.

- Trencher is held closer to machine than Pro II coupler for most efficient forward trenching
- Designed for the contractor who only needs to trench and not use other attachments
- Place trencher in the middle or the right side of the machine to drive forward
- Easy install and removal – very user friendly!
- Extremely durable and rugged – no parts to replace



SideTool Skid Steer Pro I-A Coupler Operational Specifications *(with arm closed)*

Height	26 in	66 cm
Width	32 in	81.3 cm
Length	62in	157.5 cm
Weight	575 lbs	261 kg

Note: This coupler is designed to fit ONLY the SideTool Trencher





The World Leader in Attachment Innovation

www.sidetool.com

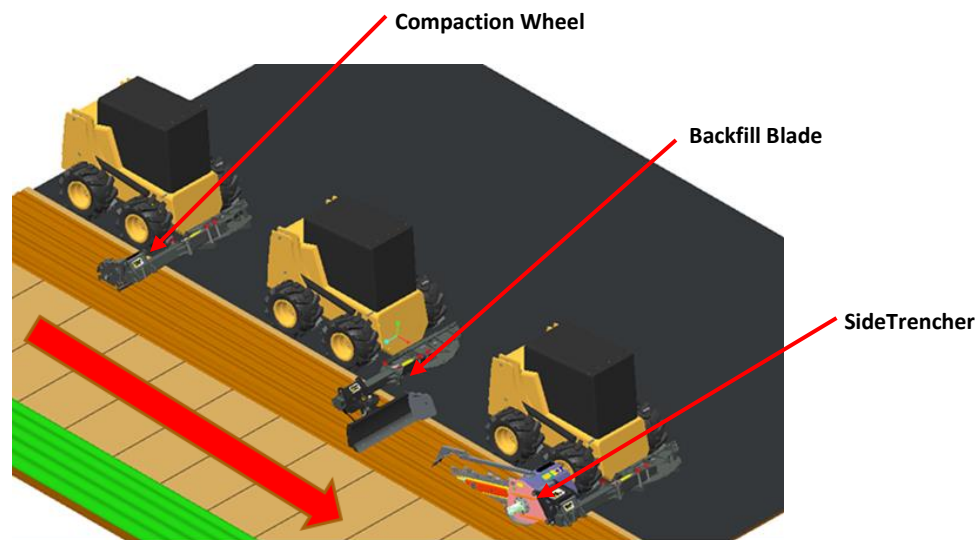
SideTool Skid Steer Pro I Couplers - #1 Solutions

SideTool Skid Steer Pro I-B Coupler *(patent pending)*

The SideTool Skid Steer Pro I Coupler enables any SideTool Trencher to be placed on all skid steer brands worldwide utilizing the coupler's quick attach plate.

- Trencher is held closer to machine than Pro II coupler for most efficient forward trenching
- Designed for the contractor who needs to use multiple attachments, as seen below
- Place tools in the middle or the right side of the machine to drive forward
- Easy install and removal – very user friendly!
- Extremely durable and rugged – no parts to replace

SideTool is recognized as the industry leader in attachment innovation. Providing a fresh new look at contractor solutions that increase efficiency and safety. The SideTool Advantage provides product solutions that give today's contractor a competitive edge.



SideTool Skid Steer Pro I-B Coupler Operational Specifications *(with arm closed)*

Height	26 in	66 cm
Width	32 in	81.3 cm
Length	62in	157.5 cm
Weight	575 lbs	261 kg

**Note: This coupler is designed to fit ALL
SideTool attachments**

