



The World Leader in Attachment Innovation

www.sidetool.com

SideTool SideTrencher - #1 Solution in the Industry



NOW TRENCH FORWARD!

- The #1 solution for skid steer trenchers. Why go backwards?
- Increase production by 40%
- Trenching FORWARD is safer, avoid unforeseen objects behind you
- Trench medians/planter strips and road shoulders from the road surface
- Address obstacles easily with full visibility

SAFETY FIRST: Avoid utility lines, unforeseen obstacles, increase operator safety. Trench in the median without driving in the median and trench planter strips & shoulders from the road.



SideTrencher was awarded one of *Equipment Today's* 2013 Top 50 Products of the Year!

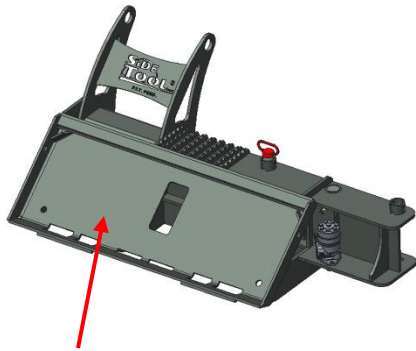


The World Leader in Attachment Innovation

www.sidetool.com

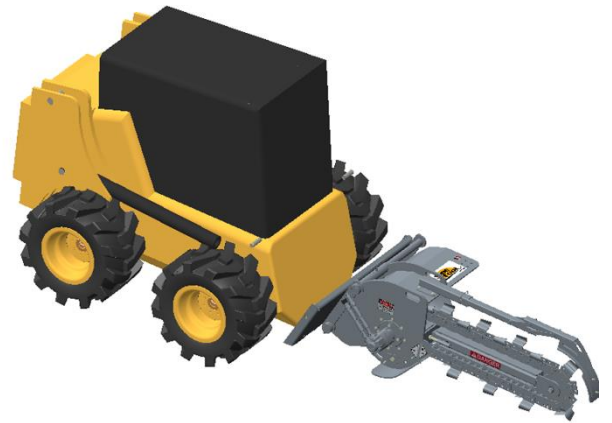
SideTool SideTrencher - #1 Solution in the Industry

SIDETOOL SIDETRENCHER



Fold Coupler to place trencher in the middle

For Conventional Trenching – Driving Backwards



OR



SideTool Trencher

+



SideTool SideTrencher Coupler folded out to place trencher to the side



The SideTrencher Coupler is available as a package deal!

Now Trench FORWARD! The new, safer, more efficient way to trench

SideTrencher Coupler Operational Specifications		
Height	26 in	(66 cm)
Length	62 in	(157.5 cm)
Width	32 in	(81.3 cm)
Weight	575 lbs	(261 kg)